

HINDS-BOCK "LOW-BOY" FILLERS

- ◆ Available in SP-64B, SP-160B, and 2P-64B versions
- ◆ Eliminates need for a transfer pump
- ◆ Easy manual loading of hopper
- ◆ Long reach spouting brings spout to customizable heights
- ◆ Gentle handling of delicate particulates



- ◆ Available without a hopper, connect straight to cooking kettle or holding tank
- ◆ Robust design for decades of reliable service
- ◆ Disassemble in minutes without tools

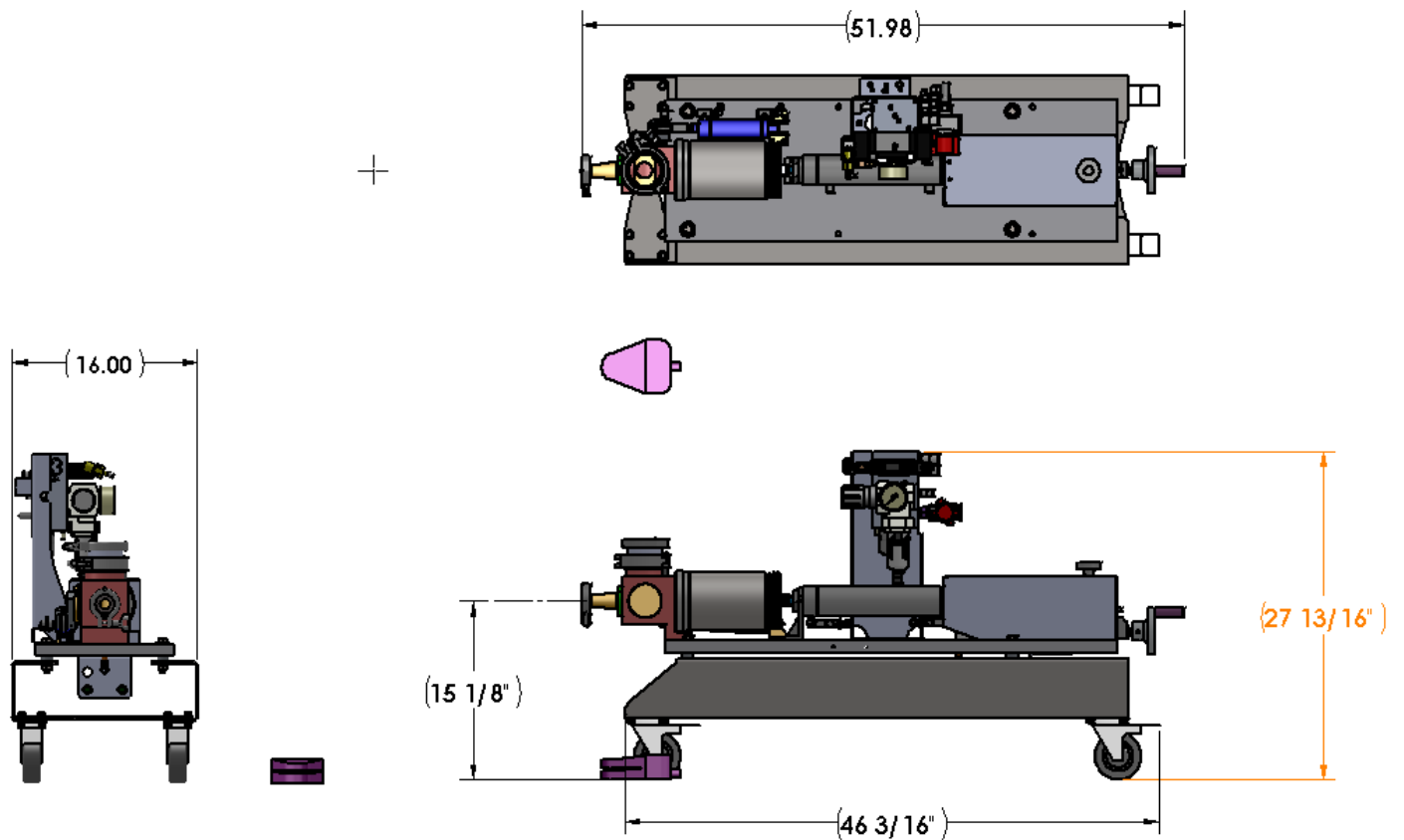
2122 222ND STREET SE | BOTHELL, WA 98021 USA

TEL: 425-885-1183 | FAX: 425-885-1492

WWW.HINDS-BOCK.COM | INFO@HINDS-BOCK.COM

OPTIONS AVAILABLE TO MATCH PROCESS REQUIREMENTS

OPTIONS INCLUDE: CONICAL (12-20 GALLON) HOPPERS, U-SHAPED AGITATED BLENDING HOPPERS, DEPRESSOR AGITATORS, CHANGE CYLINDERS, A VARIETY OF SPOUTING, AUTOMATIC & SEMI-AUTOMATIC CONTROLS, LEVEL PROBES....ALL MATCHED TO CUSTOMERS' APPLICATIONS



PARTIAL PRODUCT LIST:

- | | | | |
|----------------|----------------|----------------------|---------------|
| ◇ BATTERS | ◇ CASSEROLES | ◇ POTATOES | ◇ NUT BUTTERS |
| ◇ PIE FILLINGS | ◇ GUACAMOLE | ◇ BURRITO FILLING | ◇ SHAMPOO |
| ◇ SAUCES/GRAVY | ◇ ICE GELS | ◇ GLUTEN-FREE BATTER | ◇ CREAMS |
| ◇ DRESSINGS | ◇ BRINE | ◇ SALSAS | ◇ COSMETICS |
| ◇ ICINGS | ◇ MAC & CHEESE | ◇ CONDIMENTS | ◇ DELI SALADS |
| ◇ SOUPS | ◇ CHEESE | ◇ JAMS/JELLIES | ◇ AND MORE! |

*Ask us about our automatic denesters,
conveyors, and lidding machines!*