

ROTARY CUP SEALER

HINDS-BOCK

PARTNERS IN PRODUCTION

www.hinds-bock.com

Food Production Equipment

With popularity continually growing for fresh take away dips, sauces and deli salads, so does the demand to keep up with production.

The **Rotary Cup Sealer** provides a fast and accurate way to fill, seal and lid containers. And with 2 models to choose from, it's perfect for in-store or central commissary production.

ideal for

- › Deli Salads and Salsa
 - › Hummus, Guacamole and Tzatziki
 - › Pasta Sauce - Smooth or Chunky
 - › Cheese Sauce and BBQ Sauce
 - › Nut Butters
 - › Soups
- ... & many other DRY or FLOWABLE products!



**SC-CS12
Rotary Cup Sealer
shown with the
optional SP-64 filler
(not included).*



**SC-CS08
Rotary Cup
Sealer
shown with
integrated
filler.*

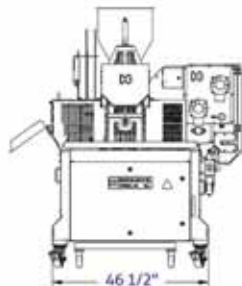
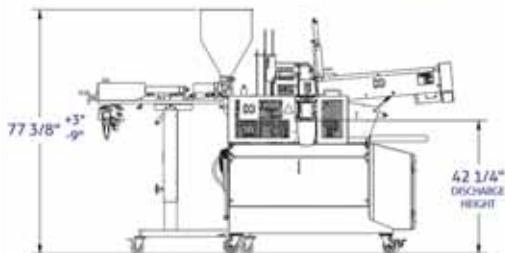
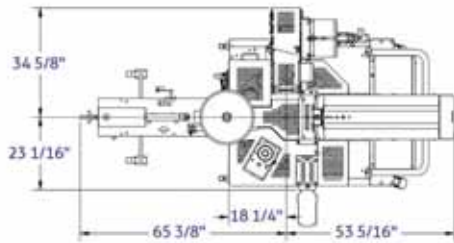


Hinds-Bock Corporation
2122 222nd Street S.E., Bothell, WA 98021, USA

Phone (877)-292-5715 (425) 885-1183

Email info@hinds-bock.com

SC-CSI2 Rotary Cup Sealer

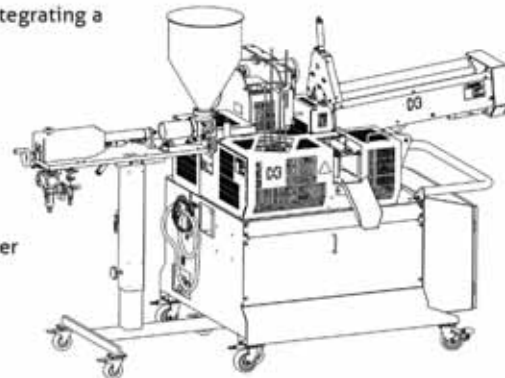


Standard Features & Specs

- Cup denester
- Lid denester for either flat side (spinning rod) or nesting lids (pick & place)
- Roll-stock film heat sealer
- Discharge kick out
- Pneumatic supply/signal connections for integrating a liquid filler, auger filler, cup filler or scale
- Discharge kick out
- PLC control / touch screen color HMI
- One touch speed control
- Interlocked guards for operator safety
- Production rates: up to 40 cpm
- Full washdown & sanitary construction
- Container size: Up to 5.0" (127 mm) diameter
- Electrical Power: 120V (20A)
- Air Power: 20 SCFM@90psi

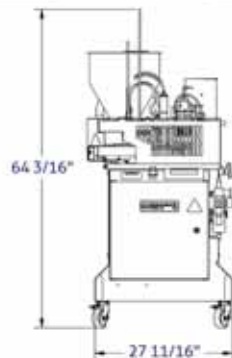
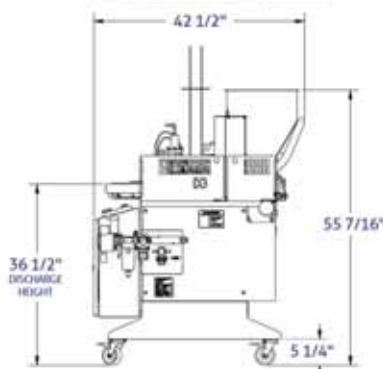
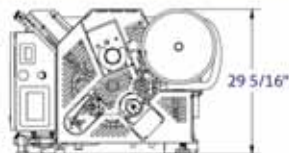
Optional

- Die cut film denester and heat seal
- Ink printing module
- Cup lift with or without spin for bottom-up fill
- SP-64 filler with a wide variety of options, including:
 - U-Hopper to keep particulates in suspension
 - Wiping blade agitator for viscous products
 - Heated or insulated hopper
 - Large spouts for particulate products



**Shown with optional SP-64 for foot print illustration purposes only.*

SC-CS08 Rotary Cup Sealer with Integrated Filler



Standard Features & Specs

- Cup denester
- Integrated piston filler with manual volume adjustment
- Tool free assembly and disassembly for easy sanitation (removable hopper, valve, piston, cylinder and spout)
- Choices of piston and cylinder set (0.75-2.0 oz or 2.0-8.0 oz)
- 2 choices of vertical plug spouts
- Die cut film denester and heat seal
- Discharge kick out
- PLC control / touch screen color HMI
- Interlocked guards for operator safety
- Production rates: up to 40 cpm
- Full washdown & sanitary construction
- Volume: 0.75 – 8oz (22 – 237 ml) with small particulates
- Container size: Up to 3.70" (94mm) diameter
- Electrical Power: 120V (12A)
- Air Power: 10 SCFM@90psi

Optional

- Servo index drive
- Wiping blade agitator for viscous products
- Insulated and covered hopper
- 10 gallon hopper
- Cup lift with or without spin for bottom-up fill

