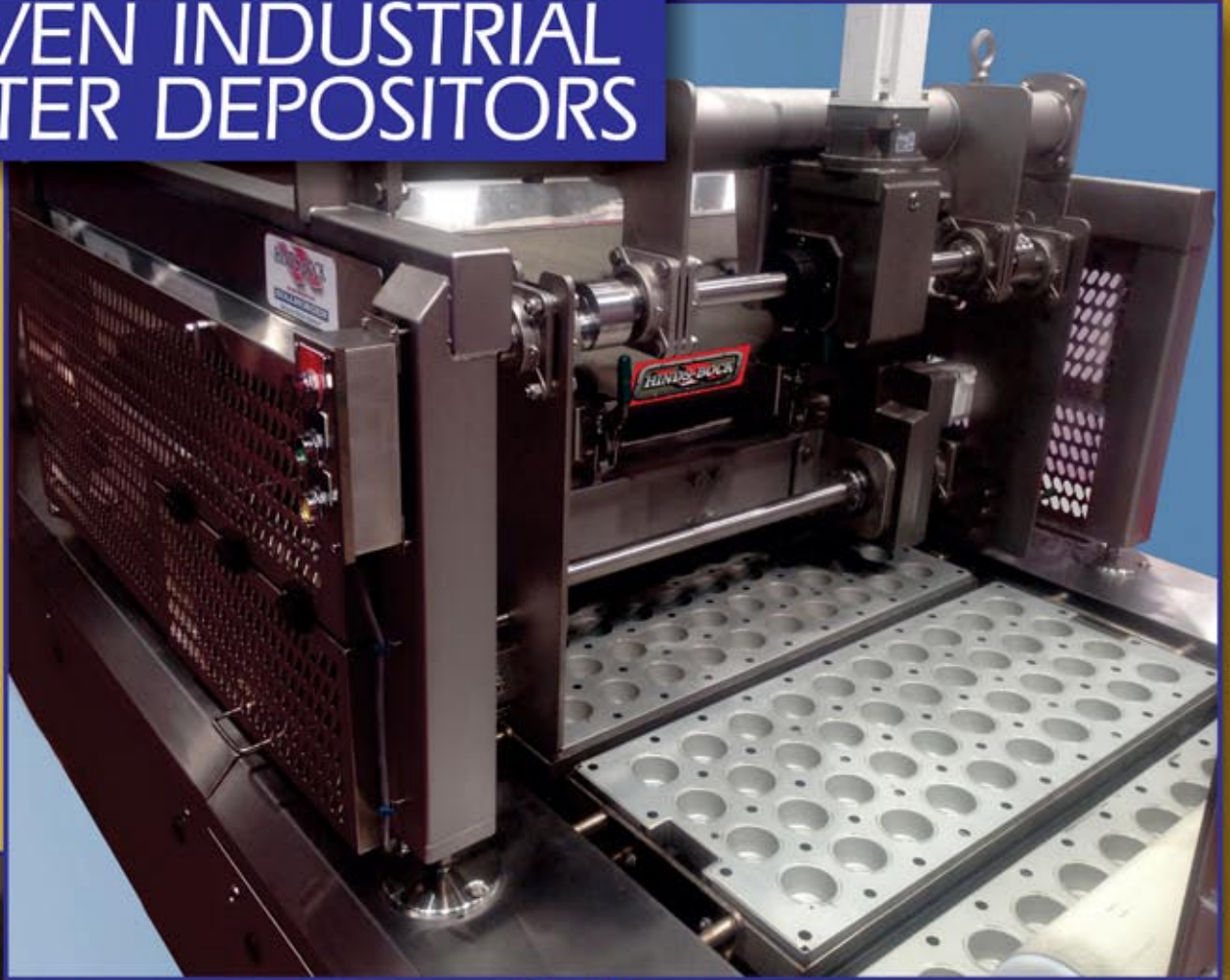


HINDS-BOCK SERVO DRIVEN INDUSTRIAL BATTER DEPOSITORS



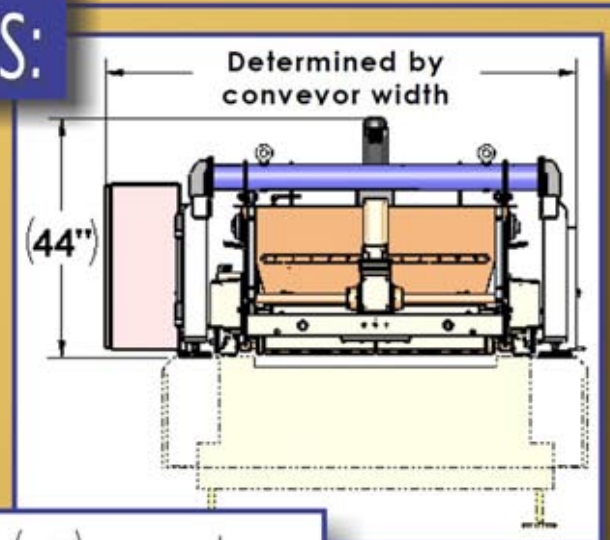
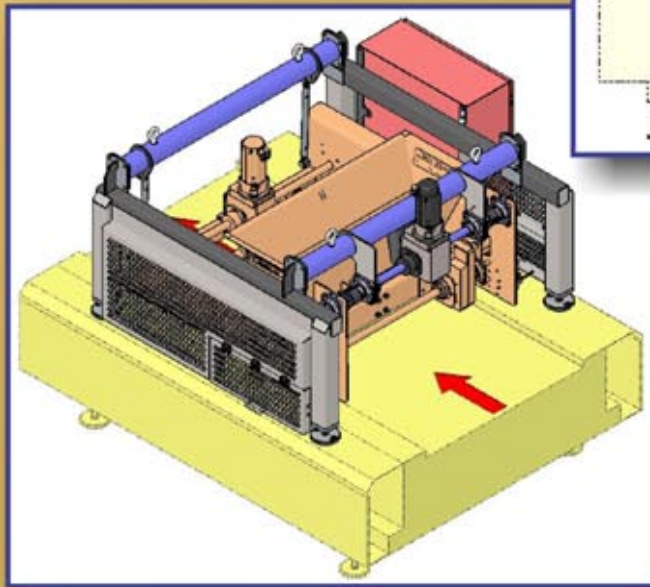
FASTER, CLEANER,
MORE ACCURATE &
EXTREMELY QUIET



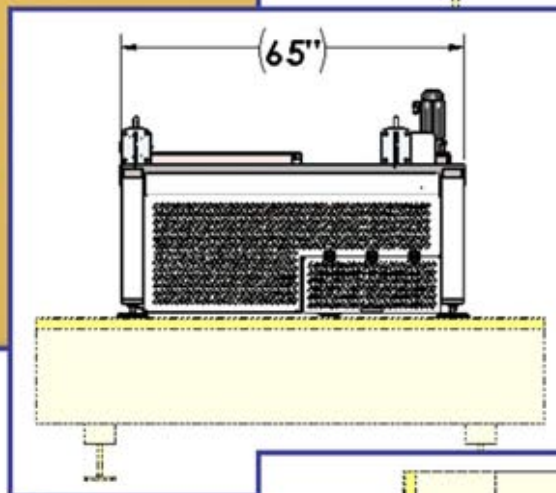
Robust Custom Solutions

HINDS-BOCK MULTI-PISTON ORBITAL DEPOSITOR FEATURES:

- No air required.
- Extremely quiet.
- Orbital depositor motion moves with the pan to help prevent tailing or mounding.
- Positive shut-off spouts for clean accurate deposits.
- Smooth to heavily particulated batters.
- Capable of reaching high rates of deposit speeds.
- Available in various configurations to match your pans.
- Quick depositor setup parameters by selecting recipe in HMI.
- Rapid disassembly in minutes without tools for sanitizing.

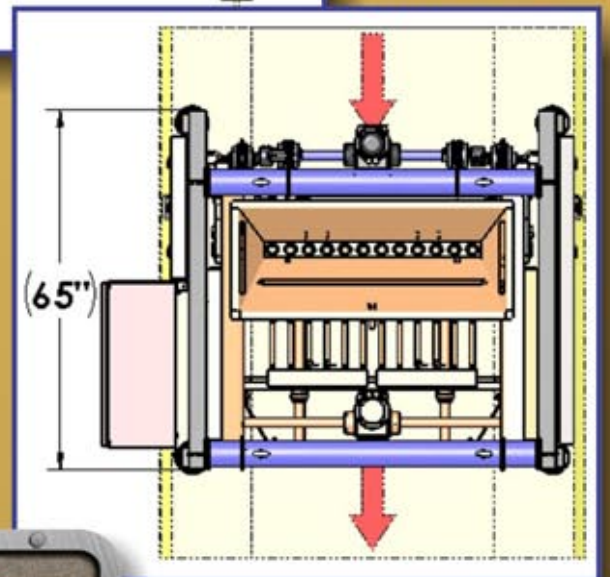


Above: Front view



Left: Side view.

Below: Top view.



Robust Custom Solutions

2122 222nd Street S.E., Bothell, WA 98021

877-292-5715

(425) 885-1183 Fax: (425) 885-1492 info@hinds-bock.com

www.hinds-bock.com